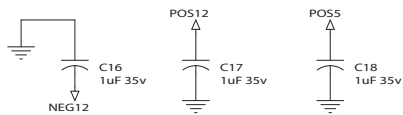
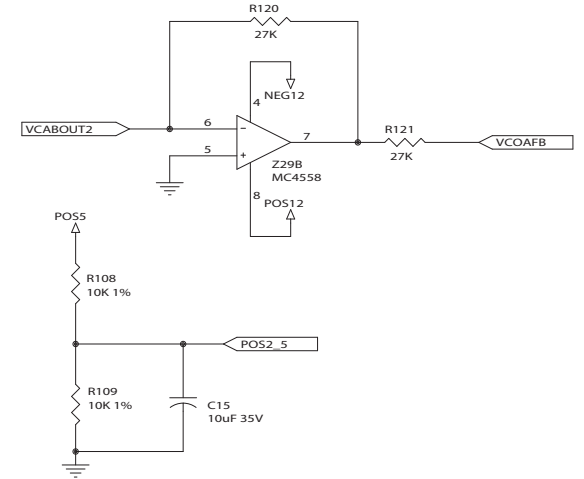
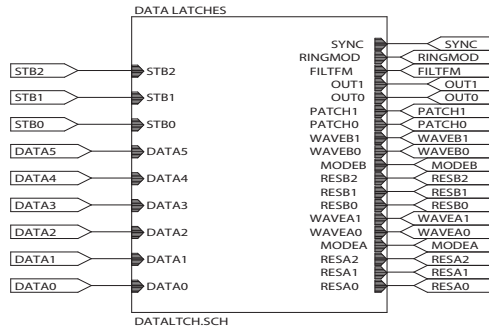
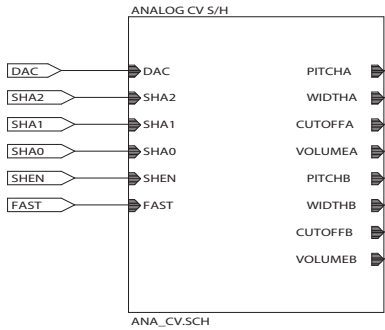
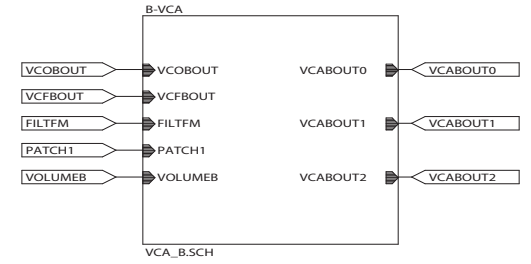
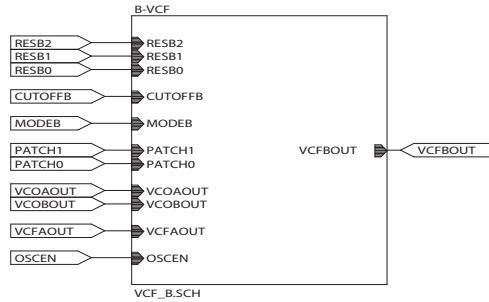
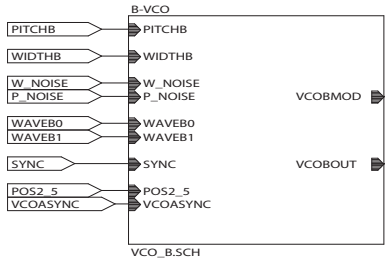
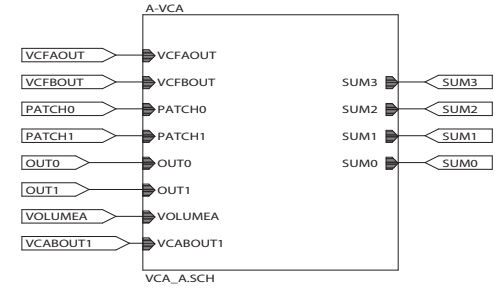
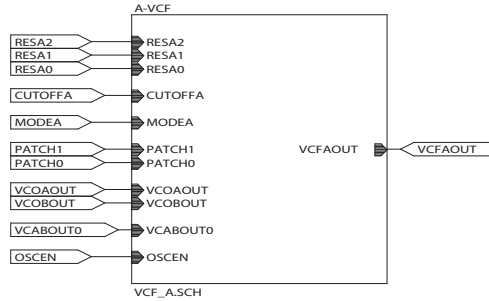
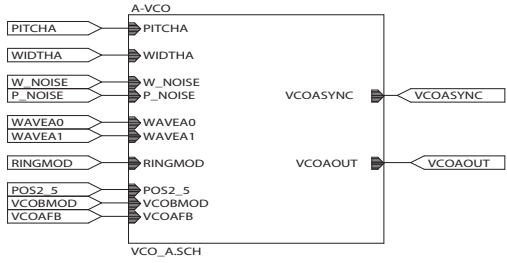
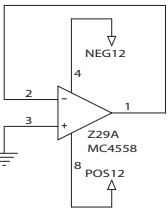
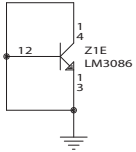
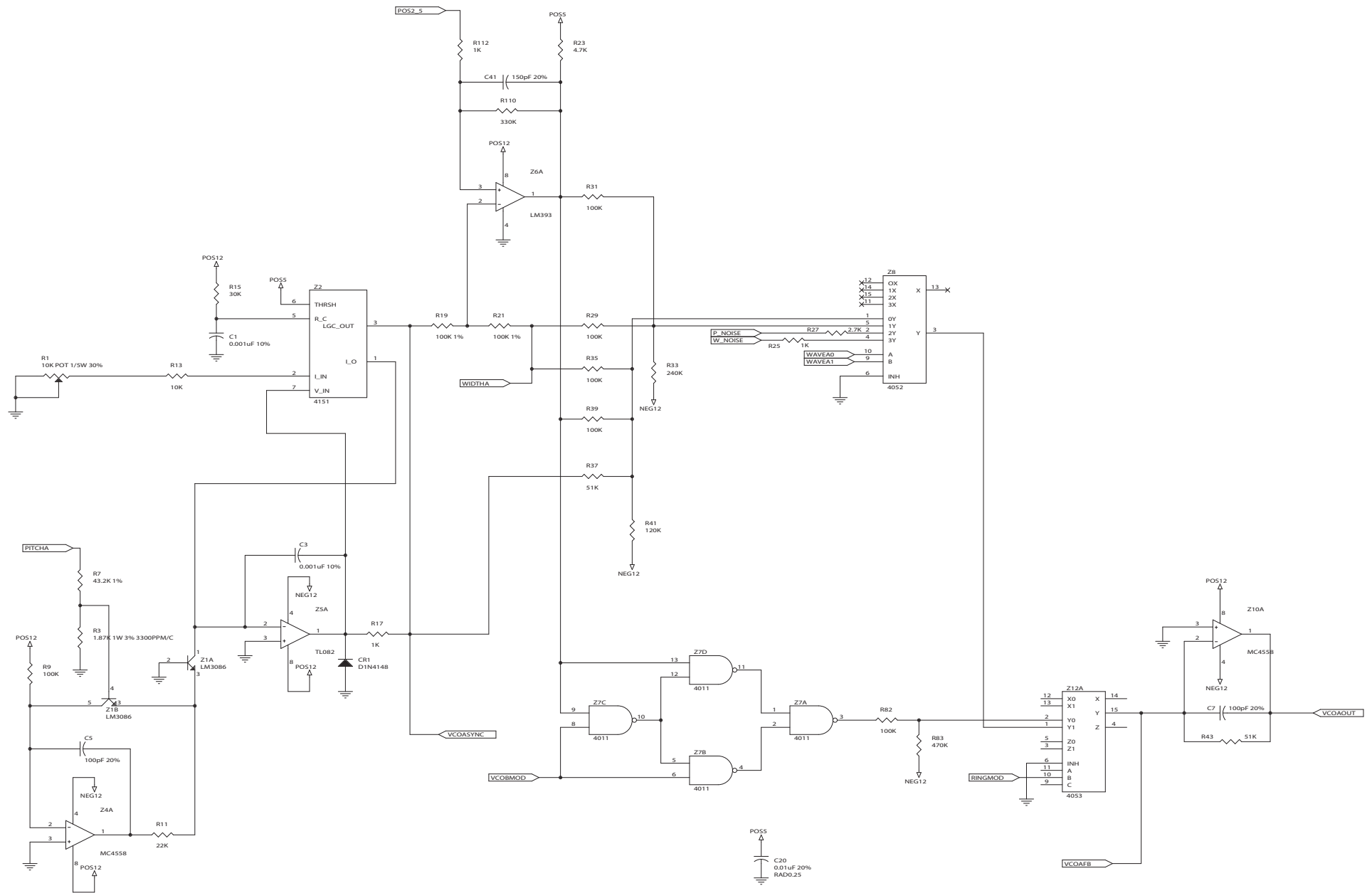


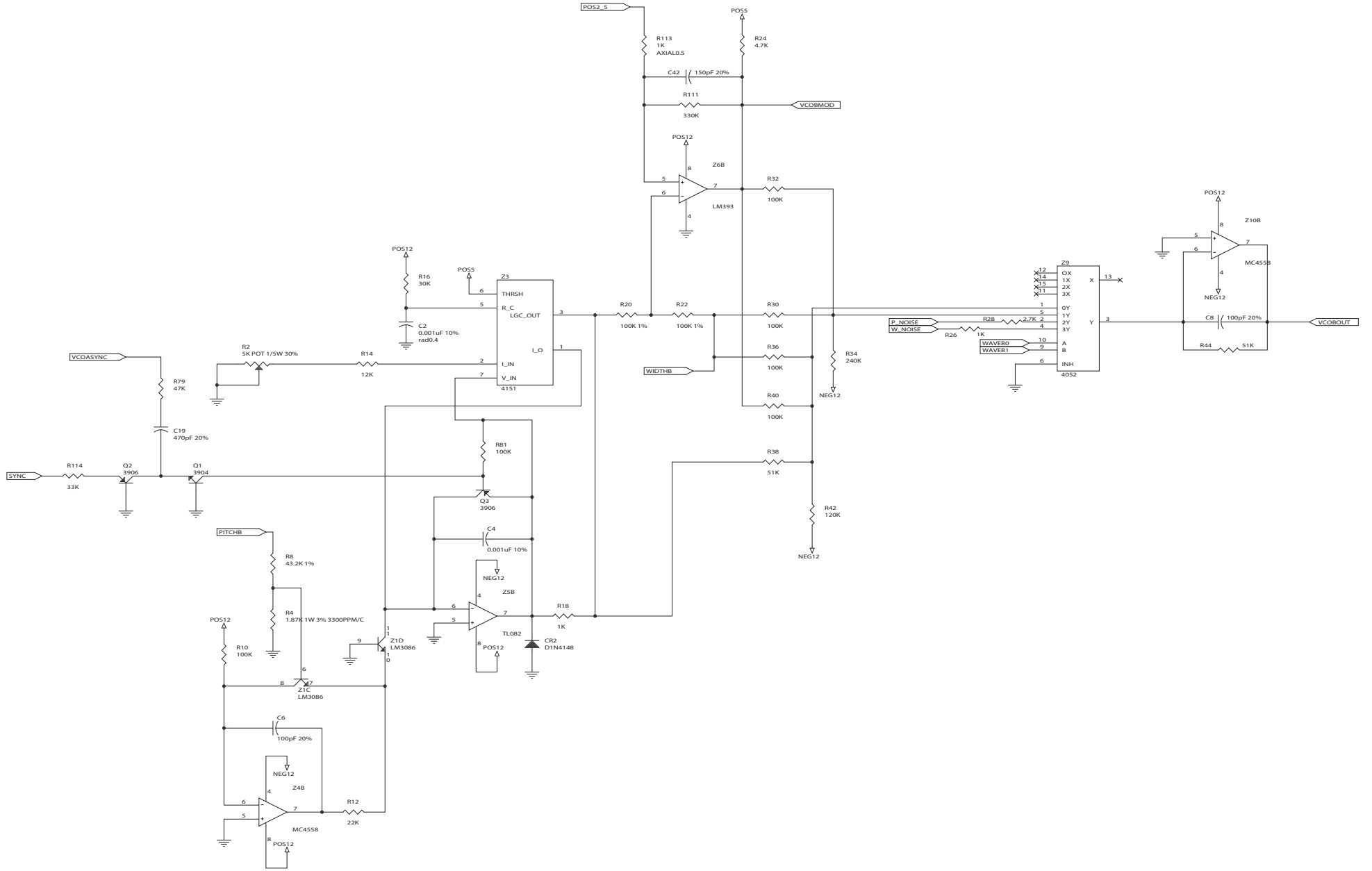
Unused gates:

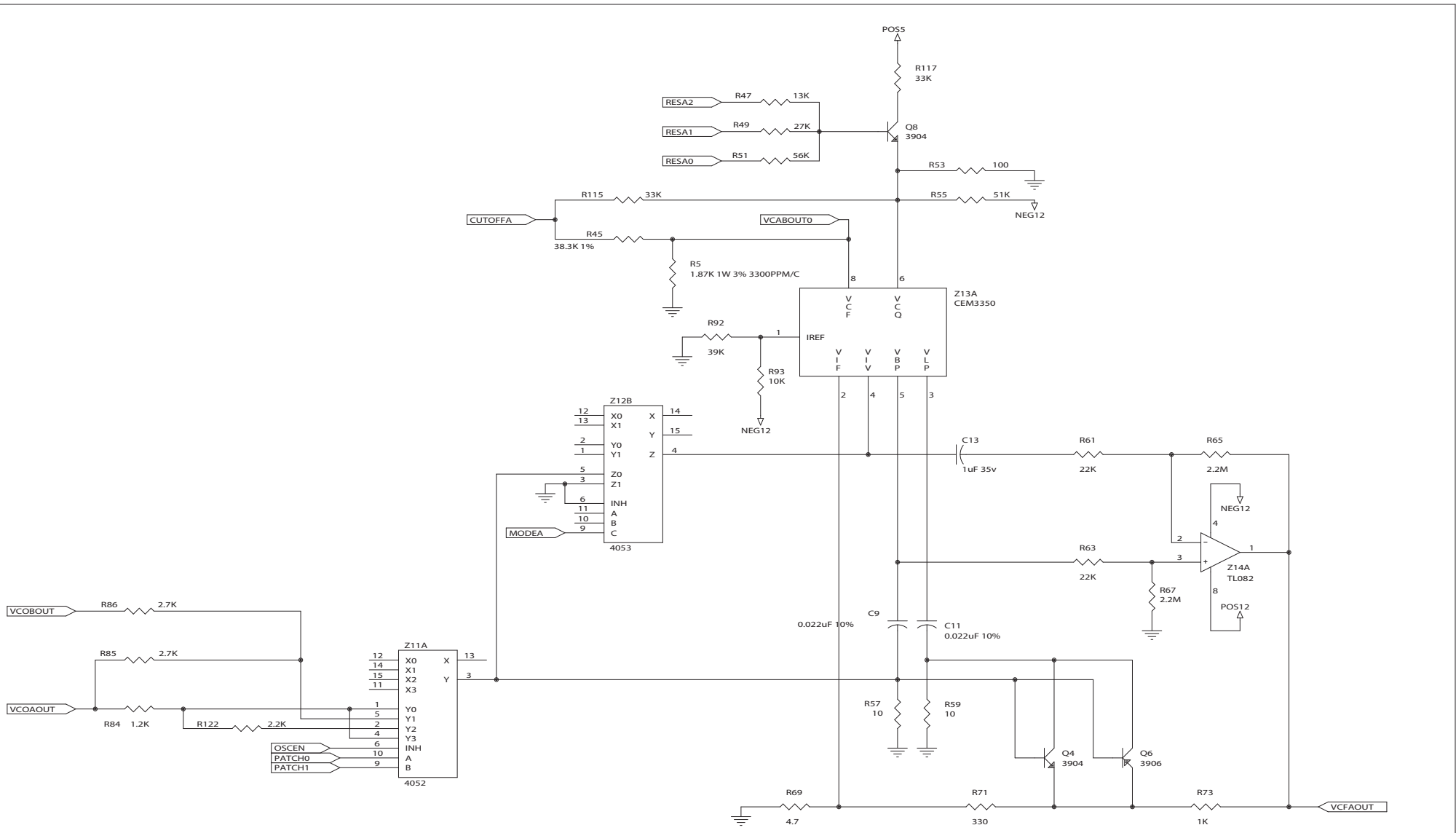


Unless other specified, resistors are 1/4W, 5%
Highest ref des: C44, CR2, Q9, R122, Z29 (no R80 desig. used)

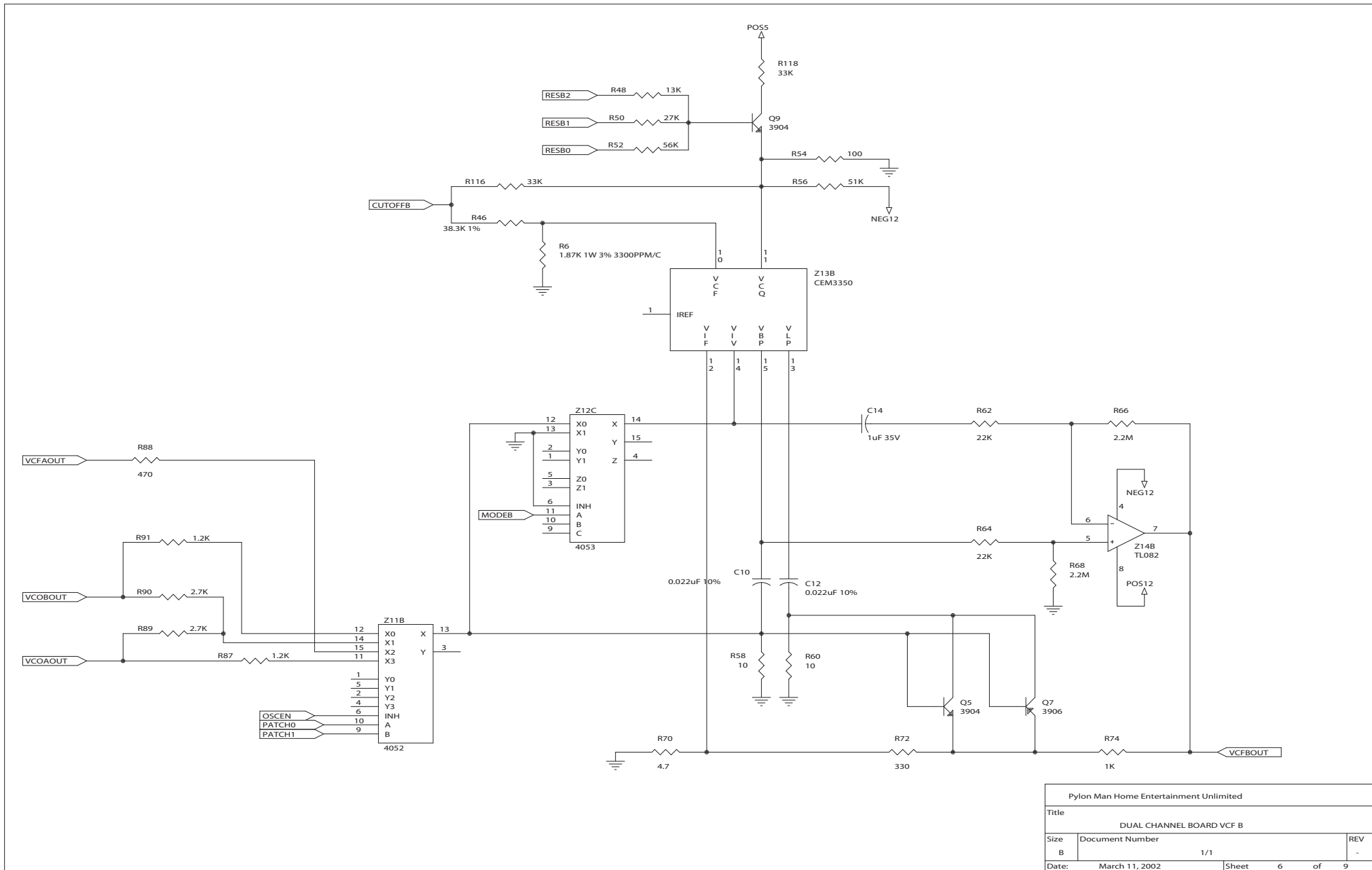
Pylon Man Home Entertainment Unlimited			
Title			
Chroma Dual Channel Board - Top Level			
Size	Document Number	1/1	REV
B			-
Date:	March 23, 2002	Sheet	1 of 9

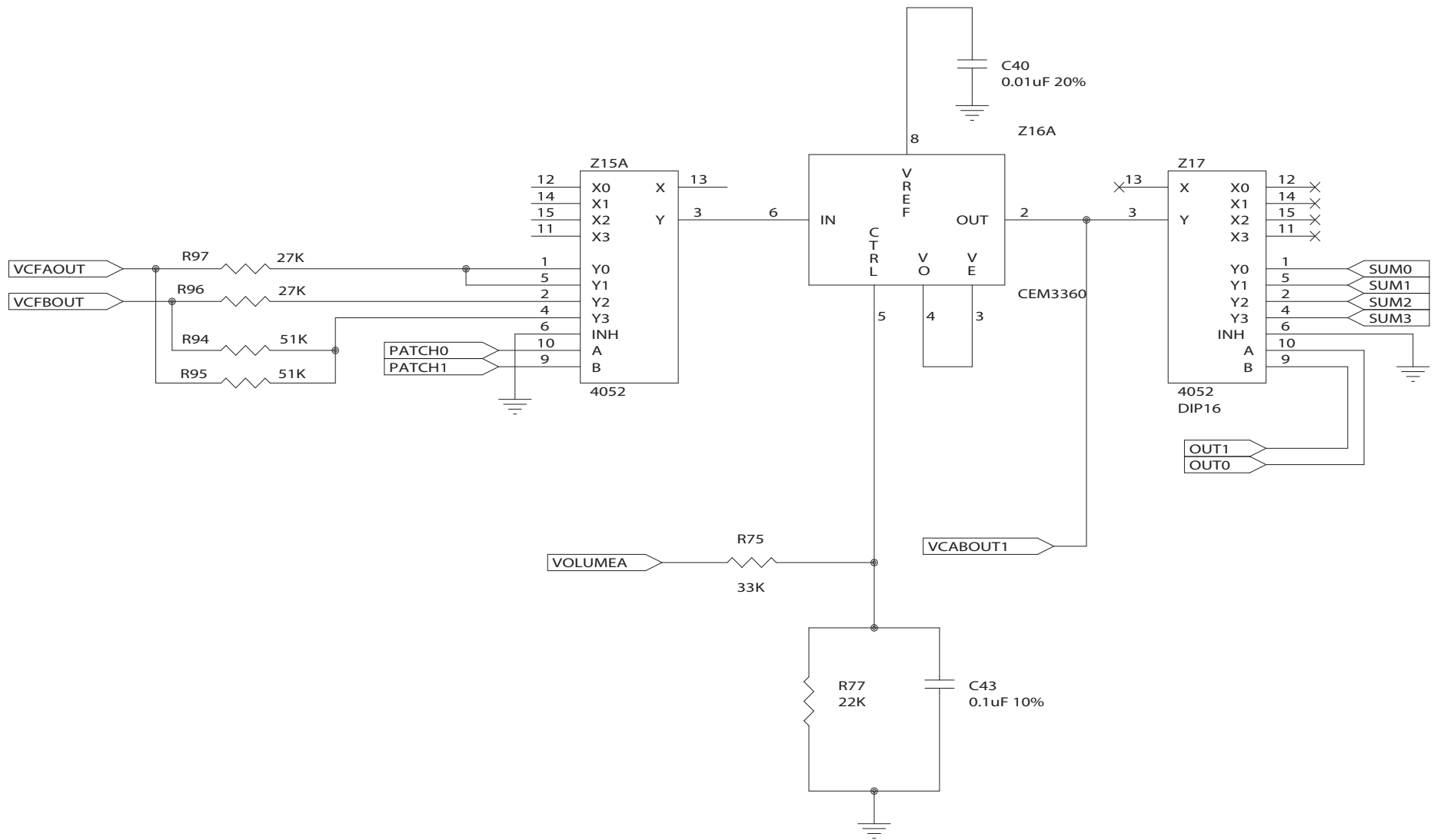




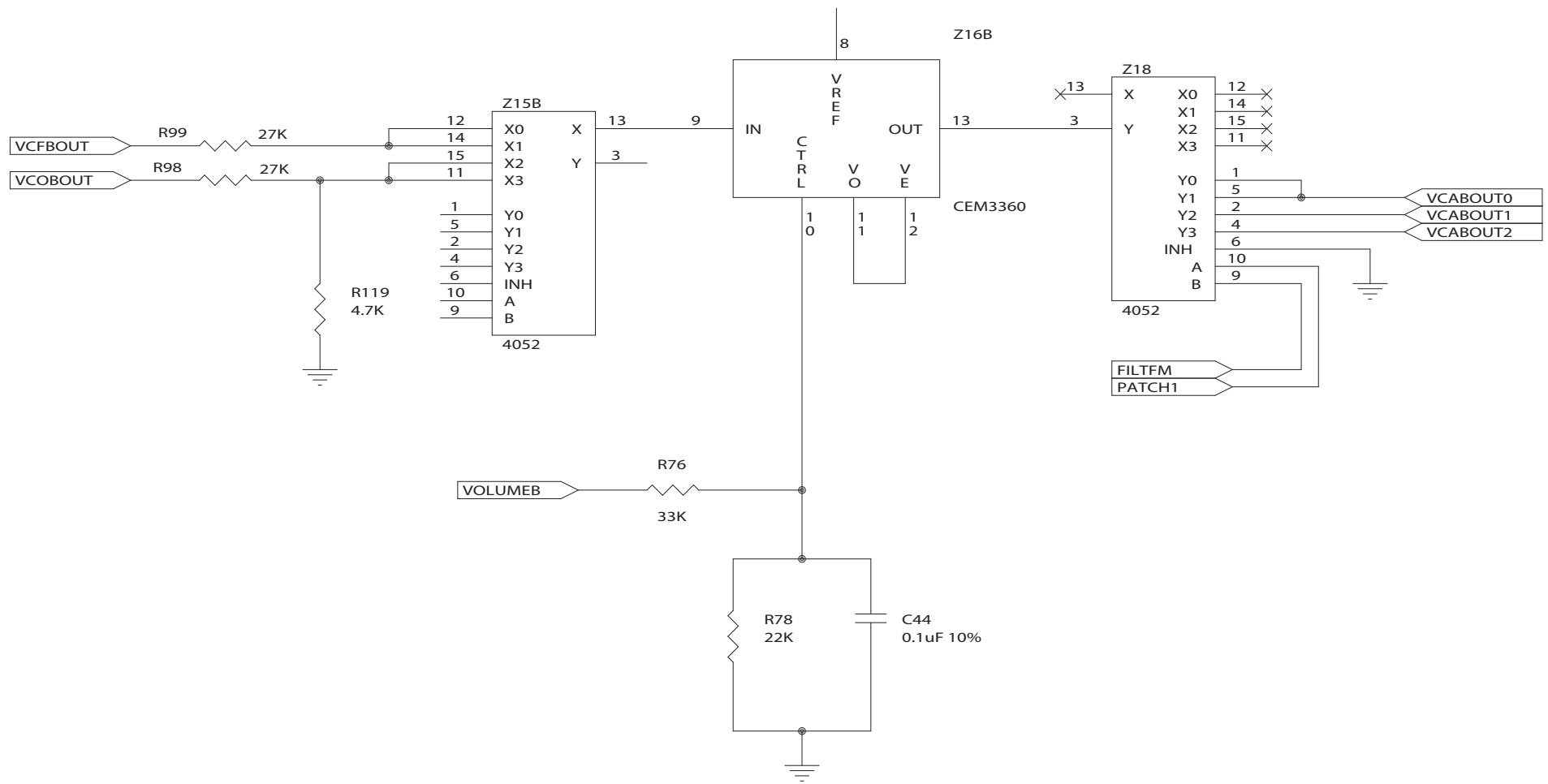


Pylon Man Home Entertainment Unlimited		
Title		
DUAL CHANNEL BOARD VCF A		
Size	Document Number	REV
B	1/1	-
Date:	March 11, 2002	Sheet 3 of 9

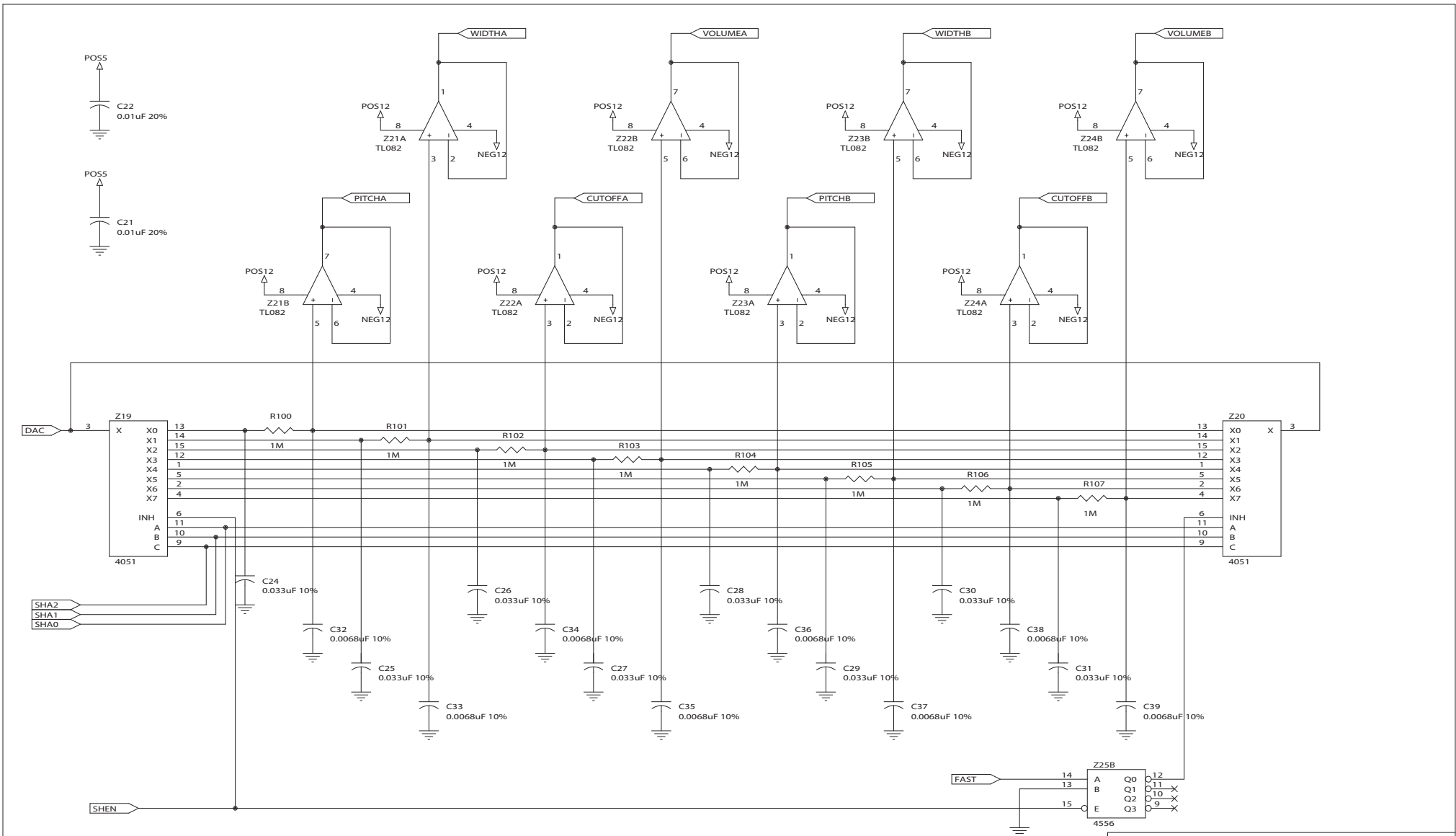


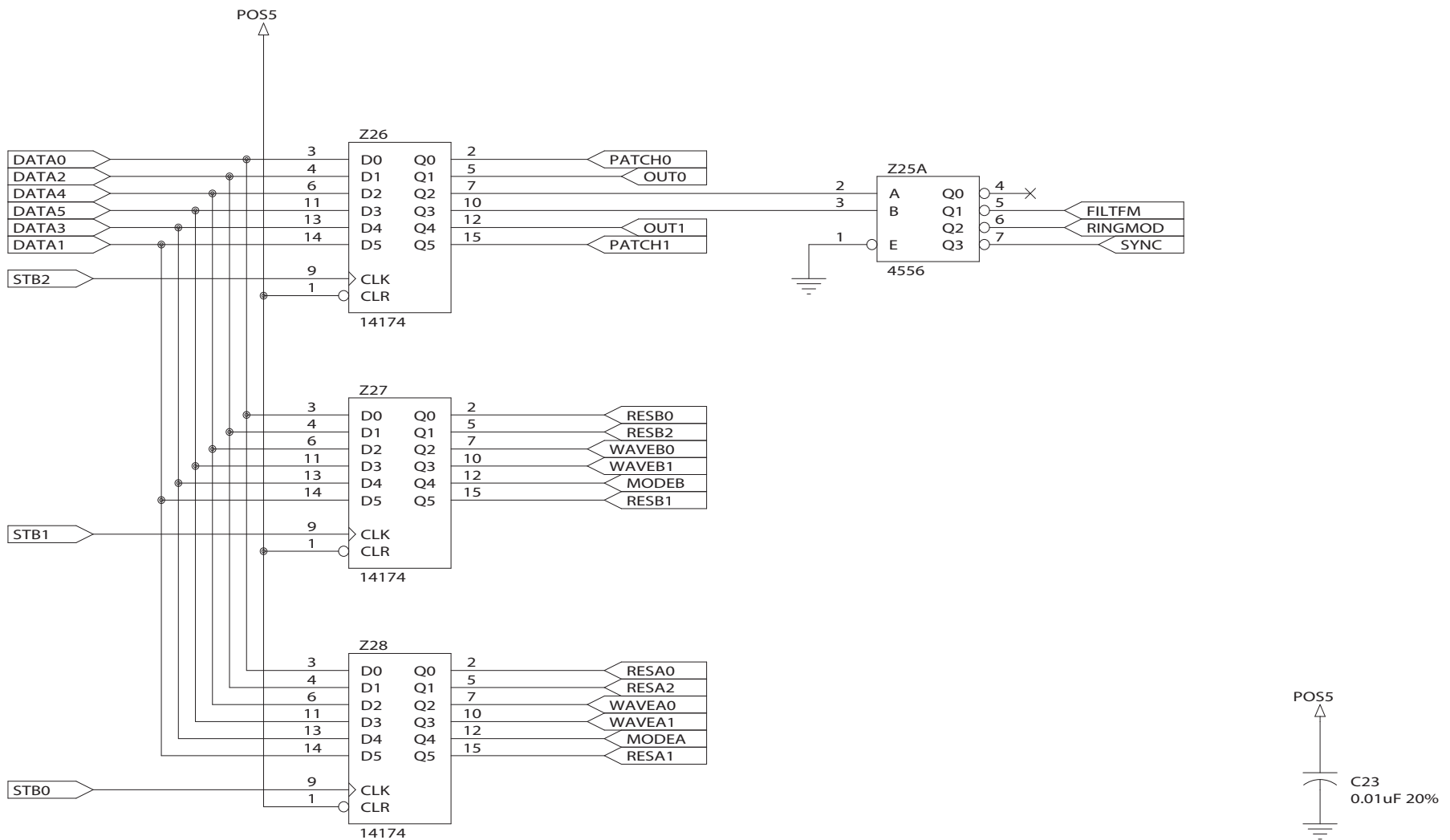


Pylon Man Home Entertainment Unlimited			
Title			
DUAL CHANNEL BOARD - VCA A			
Size	Document Number		REV
A	1/1		-
Date:	March 11, 2002	Sheet	4 of 9



Pylon Man Home Entertainment Unlimited		
Title		
DUAL CHANNEL BOARD - VCA B		
Size	Document Number	REV
A	1/1	-
Date:	March 11, 2002	Sheet 7 of 9





Pylon Man Home Entertainment Unlimited		
Title		
Dual Channel Board Data Latches		
Size	Document Number	REV
A	1/1	-
Date:	March 11, 2002	Sheet 9 of 9