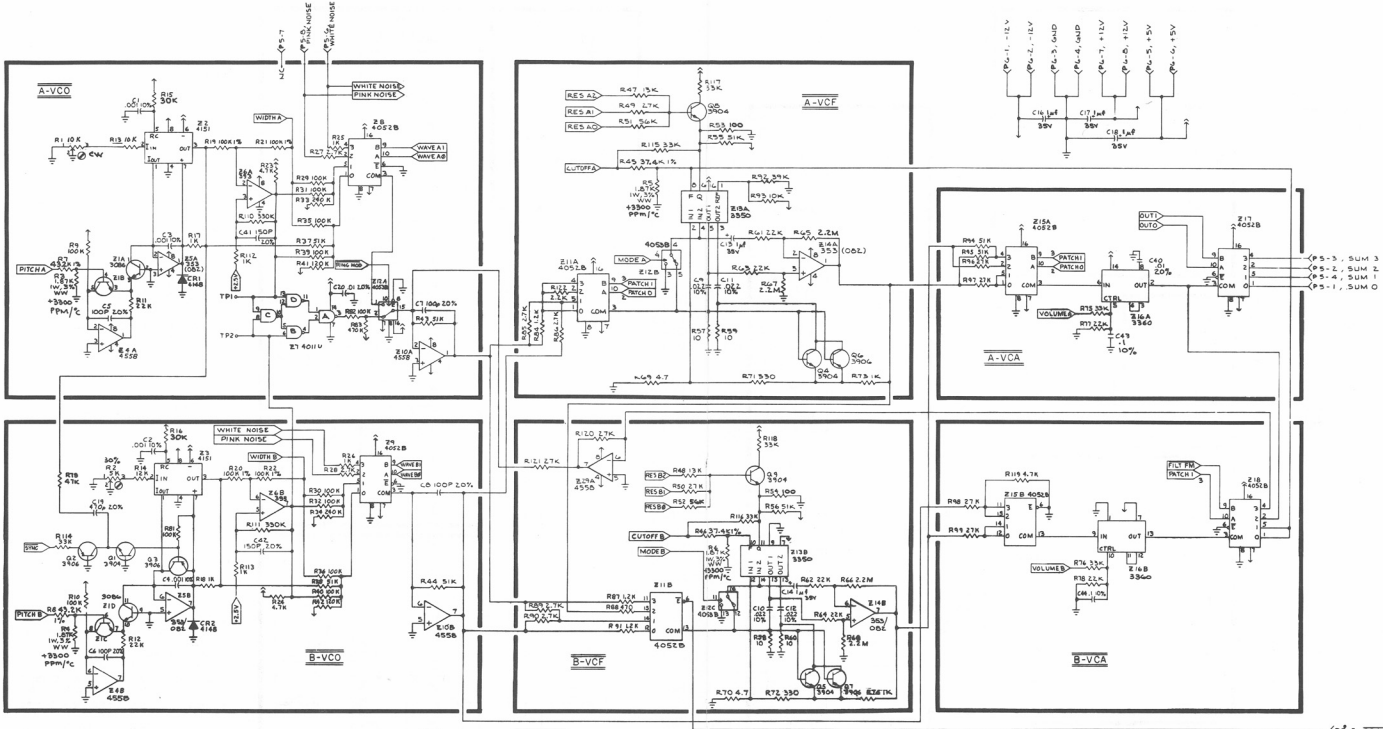
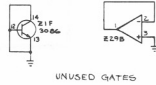


1  
2  
3  
4  
5  
6  
7  
8



NOTES:  
 1. UNLESS OTHERWISE SPECIFIED ALL RESISTORS ARE IN  $\Omega$ -MS. ALL CAPACITORS VALUES IN  $\mu$ -M.  
 2. HIGHEST RES DEFES: C4, C7, C9, R12, R24  
 3. CONVENTION USED FOR SUPPLY CONNECTIONS:

$\ominus$	IMPLIES +5V	$\oplus$
$\ominus$	IMPLIES -12V	$\oplus$
$\ominus$	IMPLIES -15V	$\oplus$
$\ominus$	IMPLIES GND	$\oplus$



UNUSED GATES

