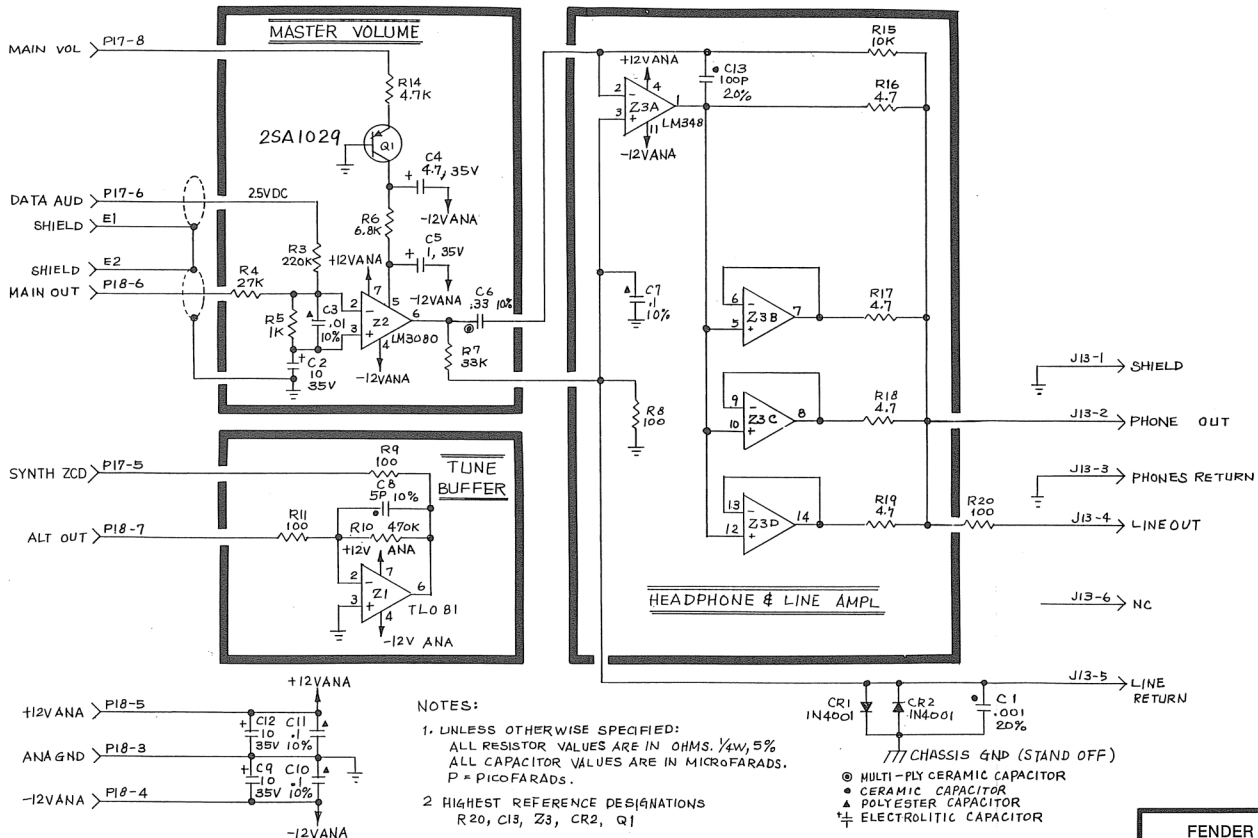


1
2
3
4
5
6
7
8
9



FENDER MI
CHROMA POLARIS
OUTPUT BOARD
SCHEMATIC